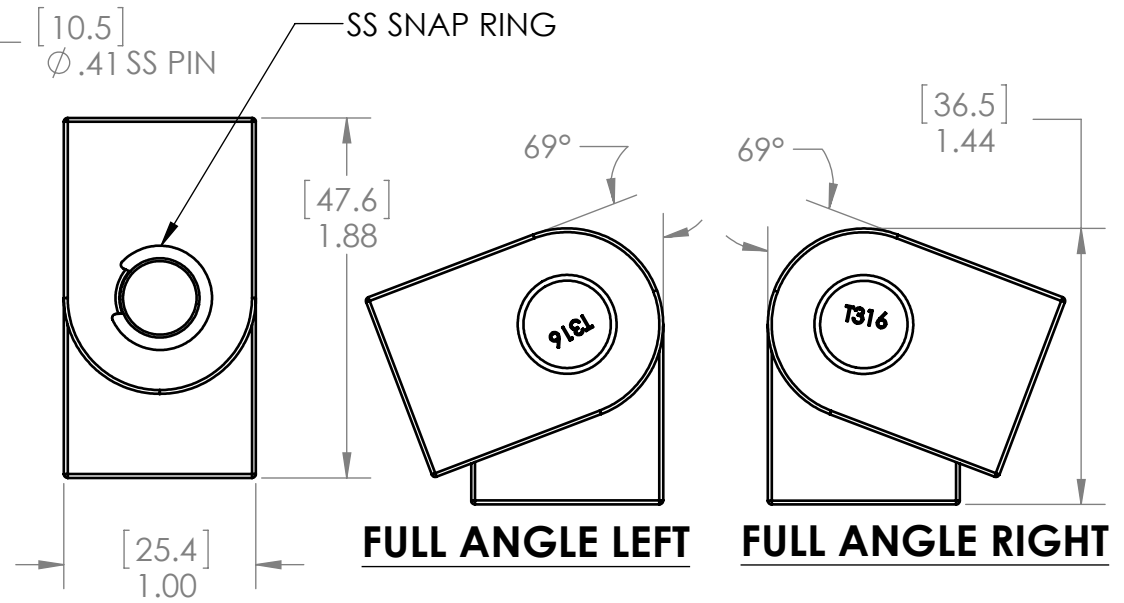
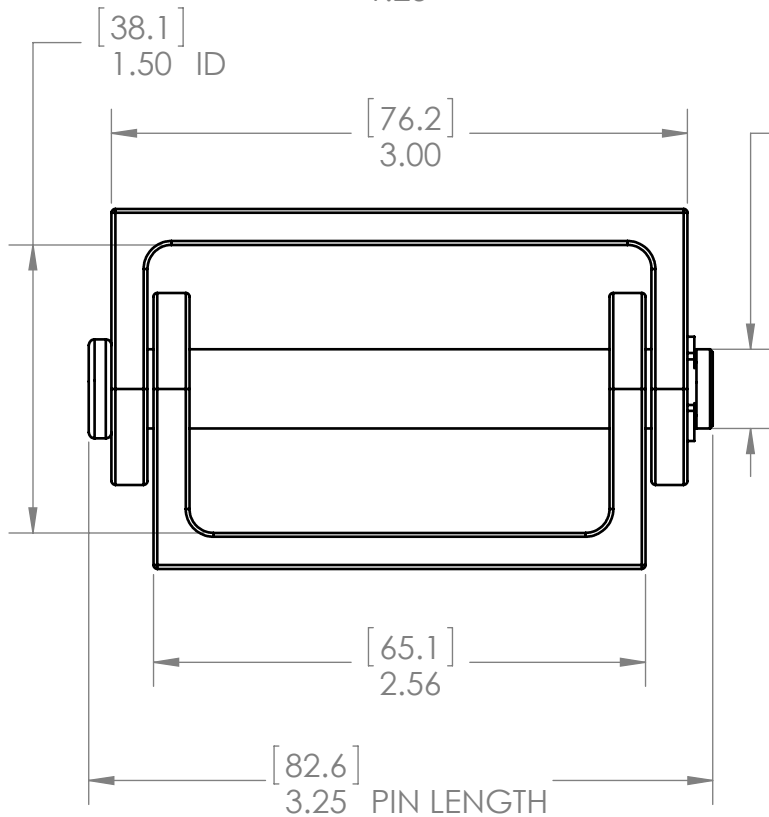
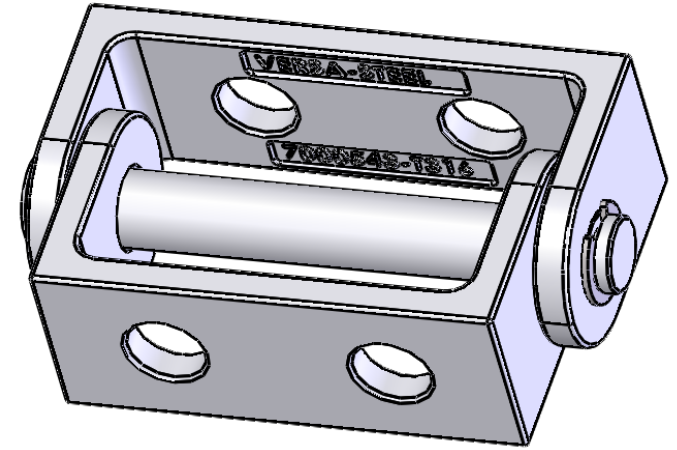
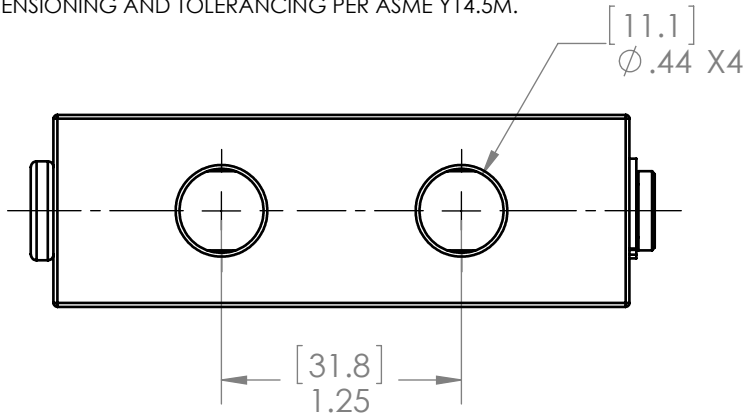


NOTES - (UNLESS OTHERWISE SPECIFIED)

1. ALL DIMENSIONS IN INCHES [mm].
2. DIMENSIONING AND TOLERANCING PER ASME Y14.5M.



Versa-Steel, Inc
 Portland, Oregon USA
 Ph 503-287-9822
 ss-hinges.com

MATERIAL:	T-316
FINISH:	SATIN
DO NOT SCALE DRAWING	

PROPRIETARY AND CONFIDENTIAL
 THE INFORMATION CONTAINED IN THIS DRAWING IS THE SOLE PROPERTY OF VERSA-STEEL, INC. ANY REPRODUCTION IN PART OR AS A WHOLE WITHOUT THE WRITTEN PERMISSION OF VERSA-STEEL, INC. IS PROHIBITED.

Description: PINTLE HINGE ASSEMBY-T316		REV. D
PART#:	7000543	
WEIGHT:	0.60 LBS	