

NOTES - (UNLESS OTHERWISE SPECIFIED)

1. ALL DIMENSIONS IN INCHES [mm].
2. DIMENSIONING AND TOLERANCING PER ASME Y14.5M.

C

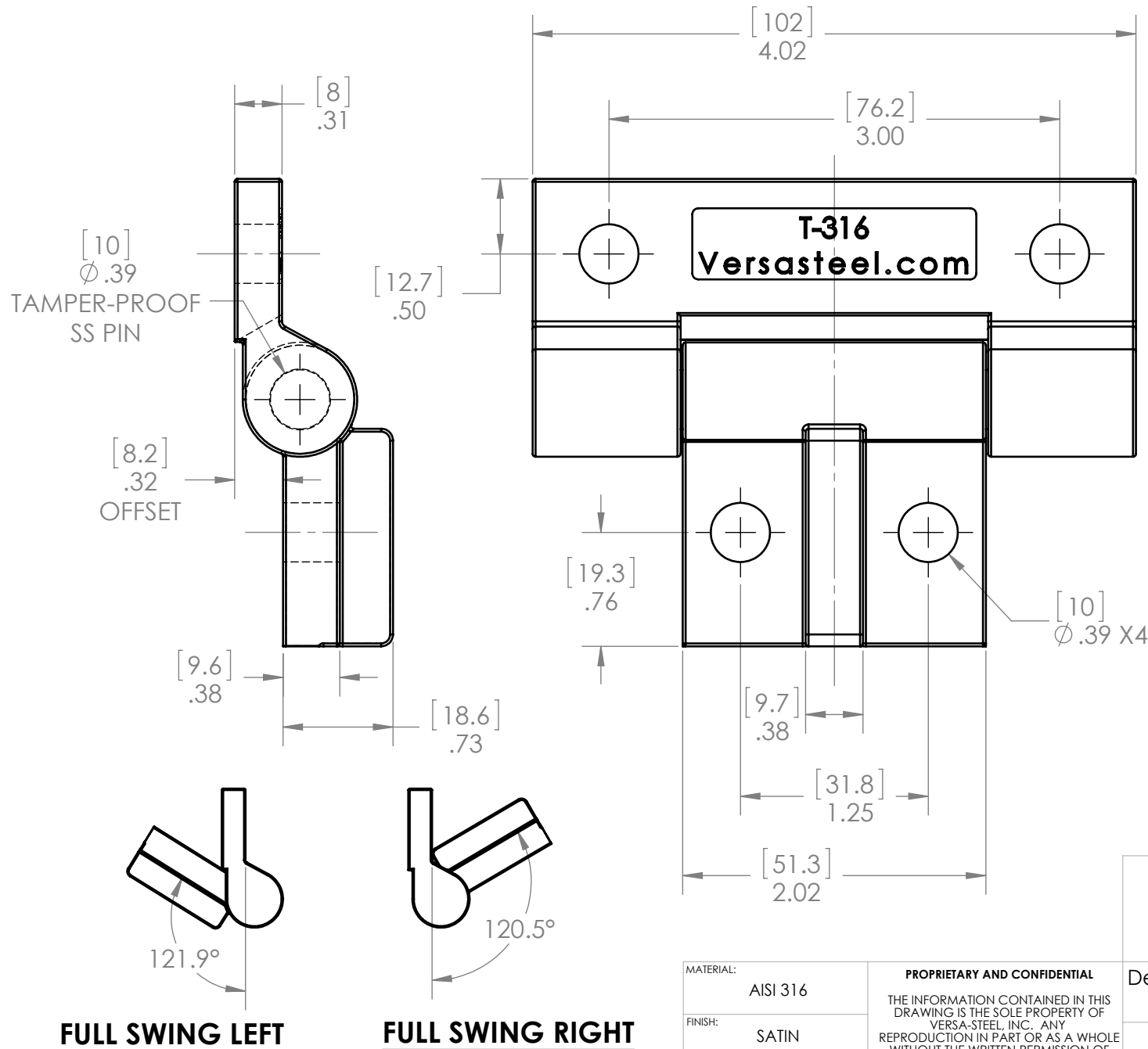
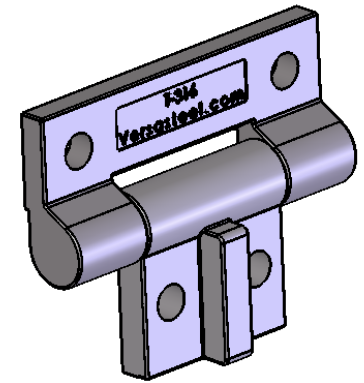
B

A

C

B

A



FULL SWING LEFT

FULL SWING RIGHT

Versa-Steel, Inc
 Portland, Oregon USA
 Ph 503-287-9822
 ss-hinges.com

MATERIAL:	AISI 316
FINISH:	SATIN
DO NOT SCALE DRAWING	

PROPRIETARY AND CONFIDENTIAL
 THE INFORMATION CONTAINED IN THIS DRAWING IS THE SOLE PROPERTY OF VERSA-STEEL, INC. ANY REPRODUCTION IN PART OR AS A WHOLE WITHOUT THE WRITTEN PERMISSION OF VERSA-STEEL, INC. IS PROHIBITED.

Description:		REV.:
HINGE, 3/8" PIN, HVY DUTY, SHORT		C
PART#:	7000503	
WEIGHT:	1.21 LBS	

3

2

1