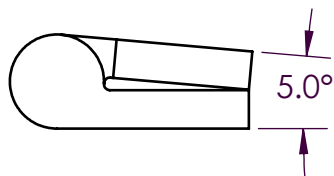
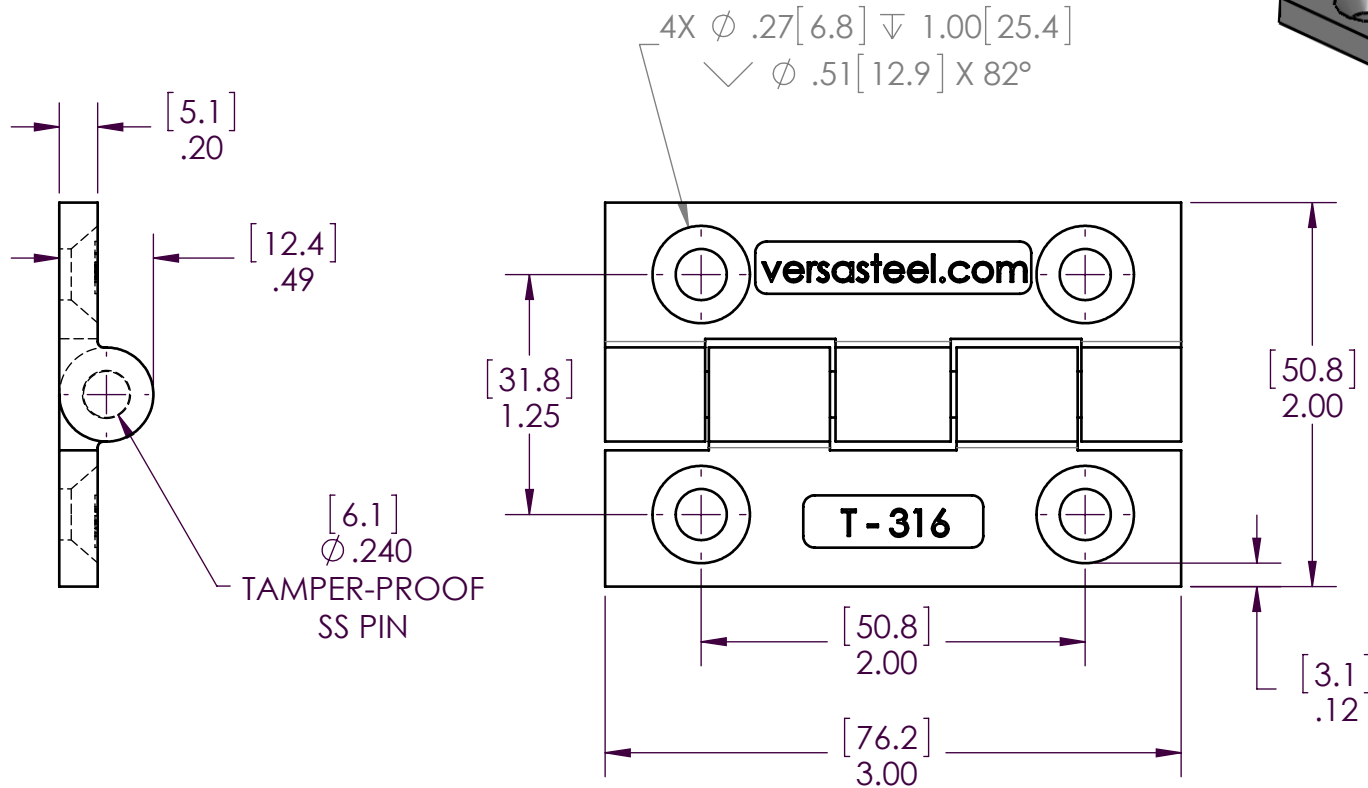
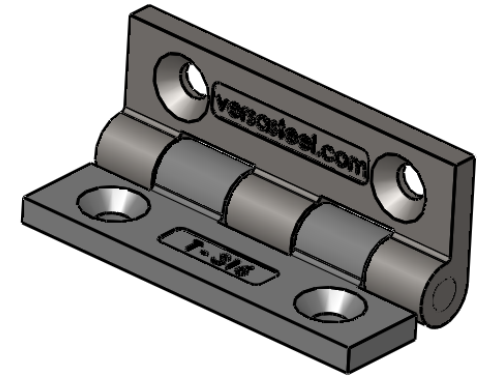
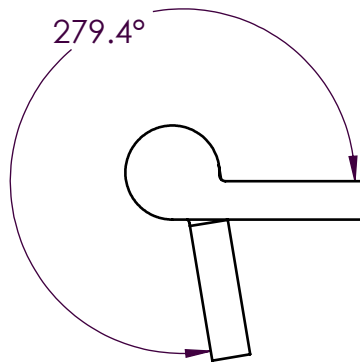


NOTES - ( UNLESS OTHERWISE SPECIFIED )

1. ALL DIMENSIONS IN INCHES [mm].
2. DIMENSIONING AND TOLERANCING PER ASME Y14.5M.



**FULL CLOSED**



**FULL OPEN**

Versa-Steel, Inc  
 Portland, Oregon USA  
 Ph 503-287-9822  
 ss-hinges.com

Description:  
 HINGE, 3", STAINLESS

PART#: 7000014

REV. A

WEIGHT: 0.39 LBS

MATERIAL:  
 AISI 316 CAST

FINISH:  
 SATIN

DO NOT SCALE DRAWING

**PROPRIETARY AND CONFIDENTIAL**

THE INFORMATION CONTAINED IN THIS  
 DRAWING IS THE SOLE PROPERTY OF  
 VERSA-STEEL, INC. ANY  
 REPRODUCTION IN PART OR AS A WHOLE  
 WITHOUT THE WRITTEN PERMISSION OF  
 VERSA-STEEL, INC. IS PROHIBITED.

SIZE  
**A**

1

3

2

2

1

3

C

C

B

B

A

A