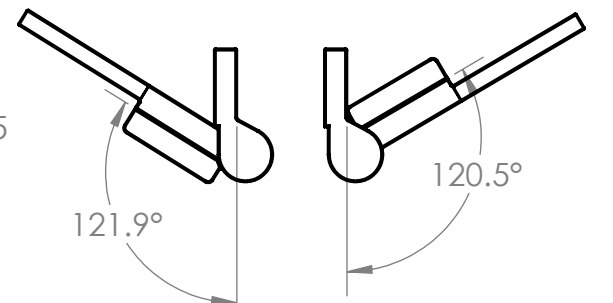
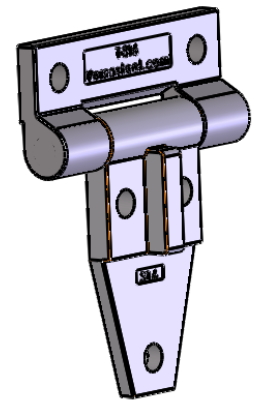
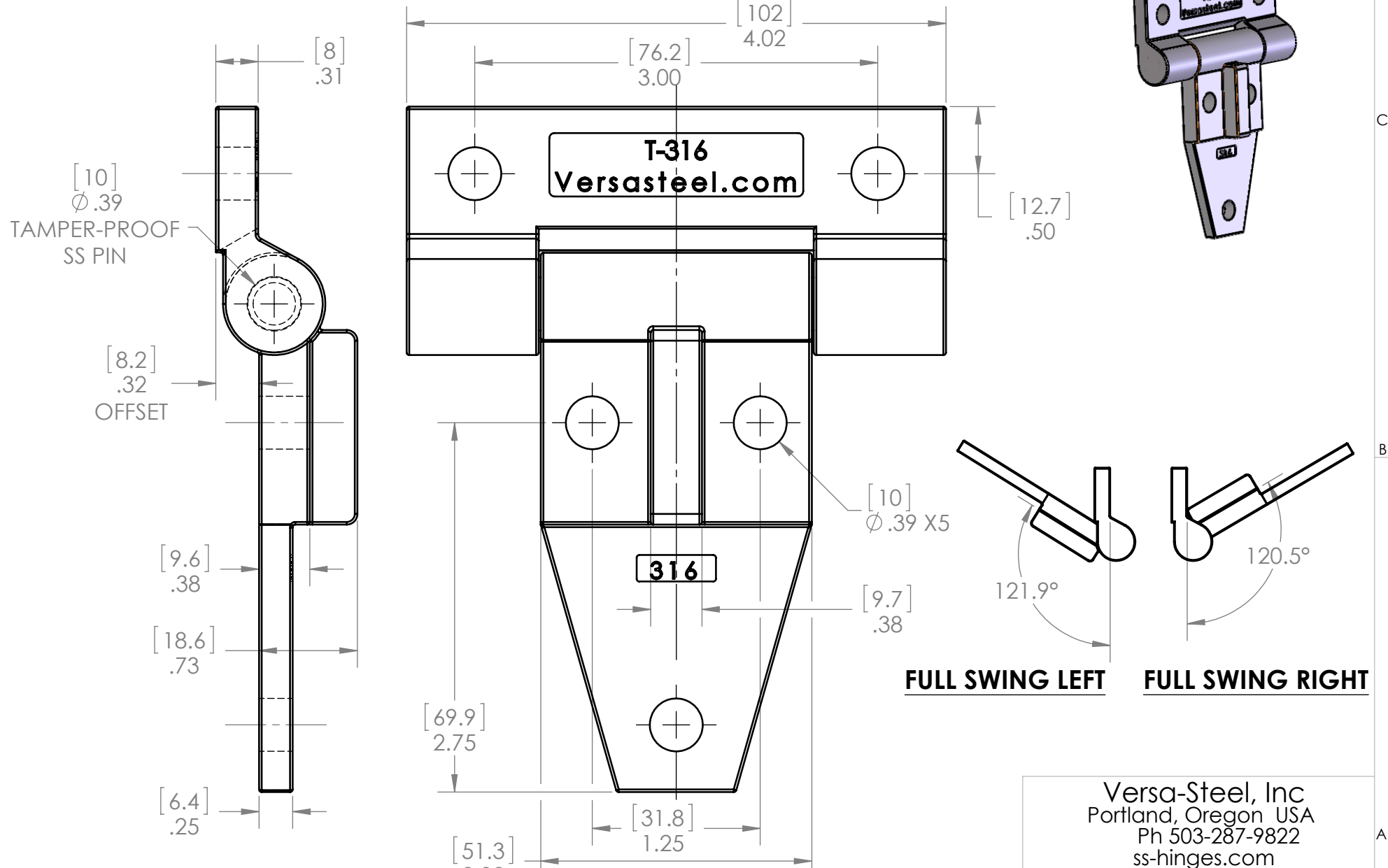


NOTES - (UNLESS OTHERWISE SPECIFIED)

1. ALL DIMENSIONS IN INCHES [mm].
2. DIMENSIONING AND TOLERANCING PER ASME Y14.5M.



FULL SWING LEFT **FULL SWING RIGHT**

Versa-Steel, Inc
 Portland, Oregon USA
 Ph 503-287-9822
 ss-hinges.com

MATERIAL:	AISI 316
FINISH:	SATIN
DO NOT SCALE DRAWING	

PROPRIETARY AND CONFIDENTIAL
 THE INFORMATION CONTAINED IN THIS DRAWING IS THE SOLE PROPERTY OF VERSA-STEEL, INC. ANY REPRODUCTION IN PART OR AS A WHOLE WITHOUT THE WRITTEN PERMISSION OF VERSA-STEEL, INC. IS PROHIBITED.

Description:		HINGE, 3/8" PIN, HVY DUTY	
PART#:	7000004	REV.:	C
WEIGHT:	1.41 LBS		

3 2 1

C

B

A

3 2 1